

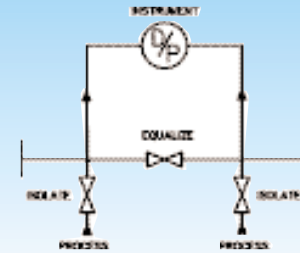
# M3S

## instrument manifold (remote)

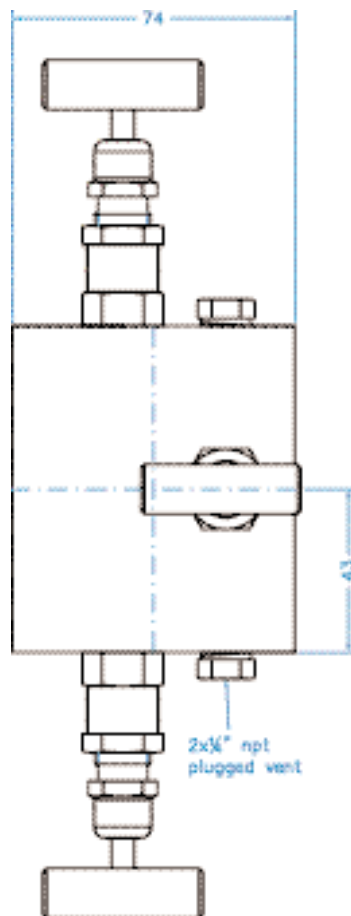
### specifications

Three valve manifold model M3S is designed for complete isolation of instruments and can be remotely mounted on differential transmitters.

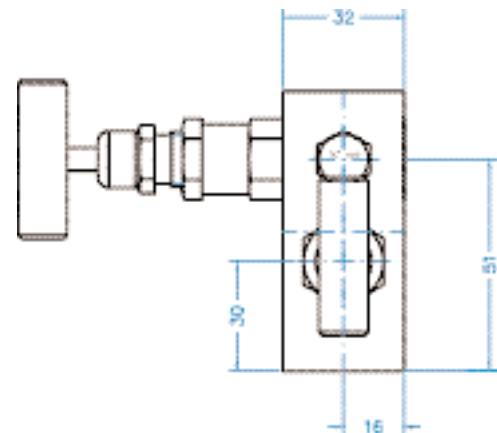
body	stainless steel
inlet (2x)	vertical 1/2" npt female at bottom side
outlet (2x)	vertical 1/2" npt female at top side
vent/test connection (2x)	at left and right hand side
equalizing bonnet	at front side
isolating bonnet (2x)	at left and right hand side
stem	type HS, conical metal end tip with PTFE gland packing
pressure in bar	420
options:	stem type SO (max. pressure 400 bar) high temperature up to 550 °C high pressure up to 700 bar anti tamper facility with removable T-bar key



Detailed drawing available on request.



front view



side view

type	in x out	thread type	body	stem	packing
M3S	1/4" x 1/4" 3/8" x 3/8" 1/2" x 1/2"	npt bsp	Carbon steel AISI 304 AISI 316 AISI 316L Monel Hastelloy C	HS SO	PTFE glass filled PTFE grafoil