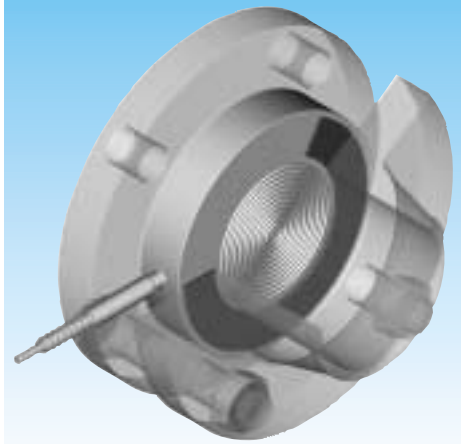


Diaphragm-type chemical seal

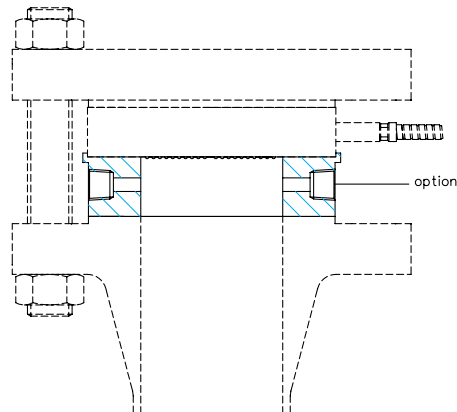
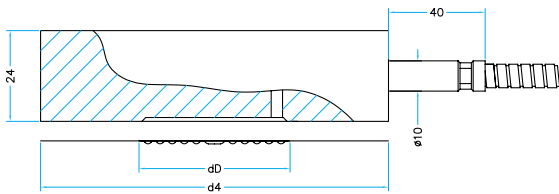
process connection flanged	ASME	4"/3"	3"	2"	2"
	DIN	DN100/DN80	DN80	DN50	DN50
diaphragm size		89mm	72mm	57mm	44mm
max. process pressure in bar at 20 °C		414	414	414	414
min. span for GP & AP in mbar		80	200	600	1250
min. span for DP in mbar		10	20	100	300
min. pressure range for PI in bar		0,5	0,5	0,6	1,6
max. capillary length in meter		15	15	15	10

for correct use of limitations see introduction page 6



- body with sealing face to be sandwiched between stock flanges
- the diaphragm fully covers the raised face

description	standard model	options available
process connection		
cell; suitable for process flanges acc. ASME B16.5	size: 2"; 3"; 4" rating: 150 ... 2500 # facing: raised face (RF) finish: factory standard	other sizes acc. ASME other facing
cell; suitable for process flanges acc. DIN 2501	DN: 50; 80; 100 PN: 10 ... 400 bar form: D, acc. DIN 2526 finish: factory standard	other sizes acc. DIN other forms
cell; suitable for process flanges acc. JIS		on request
wetted parts		
cell	AISI-316 (L)	Hastelloy B2; Hastelloy C276; Inconel 600 / 686 Monel 400; Nickel 200; titanium
diaphragm (full covering of raised face)	AISI-316 L	Hastelloy B2; Hastelloy C276; Inconel 600 / 686 Monel 400; Nickel 200; tantalum; titanium coating: ETFE; FEP; PFA; PTFE; PVDF gold; silver
instrument connection		
instrument connection	capillary tubing (side entry)	
features		
capillary	AISI-316	
armour	stainless steel	protection sleeve of PVC
sealing oil	silicone type BSO 22	others see table 1 - page 55
flushing ring		2"; 3"; and 4" including 2 plugs 1/2" NPT
temperature reducer		for all instruments except DP
temperature compensator		for all instruments except PI
full welded construction		for all instruments
support pipe		heavy duty pipe on capillary connection



for standard dimensions consult table 5 a/b or fold-out datasheet

**minimum span in mbar
for GP, AP & DP**

transmitter type		
GP	AP	DP
1250	1250	300
600	600	100
200	200	20
80	80	10
80	80	10

**process
connection**

flange size	dD (mm)
2" / DN50	44
2" / DN50	57
3" / DN80	72
3" / DN80	89
4" / DN100	89

**minimum range in bar
for pressure indicator**

size of PI (mm)		
ø 63	ø 100	ø 160
1,6	1,6	1,6
0,6	0,6	0,6
0,5	0,5	0,5
0,5	0,5	0,5
0,5	0,5	0,5

**temperature effect in mbar per +10 °C
for DP**

transmitter type	seal	capillary /mtr
DP		
0,20	1,24	2,28
0,15	0,66	0,63
0,10	0,24	0,20
0,04	0,09	0,08
0,04	0,09	0,08

measured from 20 °C

**process
connection**

flange size	dD (mm)
2" / DN50	44
2" / DN50	57
3" / DN80	72
3" / DN80	89
4" / DN100	89

**temperature effect in mbar per +10 °C
for GP & AP**

transmitter type		seal	capillary /mtr
GP	AP		
1,90	1,90	4,90	10,35
1,70	1,70	2,65	3,90
0,55	0,55	0,95	1,20
0,19	0,19	0,39	0,40
0,19	0,19	0,39	0,40

measured from 20 °C

	PI	GP	DP	standard included	PI	GP	DP	additional
		AP				AP		
tests	•	•	•	calibration test at 20 °C		•	•	calibration test at simulated process conditions (8h)
	•	•	•	helium test		•	•	static pressure test at 20 °C (8h)
	•	•	•	static pressure test at 20 °C		•	•	vacuum test at 20 °C (8h)
						•	•	dye penetrant test for pressurized welds
certificates		•	•	calibration test certificate	•			calibration test certificate
					•	•	•	conformity certificate on pressurized parts (2.2)
					•	•	•	material certificate acc. EN 10204 3.1.B (3.1A/3.1C)
					•	•	•	NACE certificate acc. MR 01.75
documents	•	•	•	directions for use	•	•	•	technical information set