



Valdisk TX3 Triple Offset Butterfly Control Valve



Experience In Motion

Flowserve® – Solutions to Keep You Flowing

Flowserve is one of the world's leading providers of control valves. Our engineers work with customers to understand even the most challenging applications. This way, Flowserve partners with customers to develop industry leading technical solutions that help customers keep their process flowing.



Flowserve Valtek Valdisk TX3

The Valdisk TX3 is a high performance triple offset butterfly control valve capable of closing with zero leakage. The precision seat and seal are machined at an offset angle creating even seat loading around the entire seat ring and eliminating rubbing between the seat and seal during opening and throttling. This design provides repeatable long-lasting zero leakage shut-off.

The Valdisk TX3 high performance design includes the following features:

- API 598 Zero Leakage
- Robust Sealing Options
- Variety of Body Styles
- Industry Certifications



Valdisk TX3 Features

Sizes	NPS: 3, 4, 6, 8, 10, 12, 14, 16, 18, 20, 24
Pressure Class	ANSI Class 150, 300, 600, 900, 1500
Temperature Rating	-320 to 1500°F (-196 to 820°C)
Body Style	Wafer, lug, double flange, top entry cryo
Body Material	Carbon steel, stainless steel, duplex stainless steel, Inconel 625, Monel, Hastelloy C, Alloy 20
Seal Ring	Laminated metal-graphite Solid metal
Shut-off Rating	API 598, MSS SP-68 ISO 5208 (EN 12266): Rate A ANSI/FCI 70-2: Class IV, V, VI
Actuator	Limitorque LPS, Automax RG-Series, Supernova, Valtek VR
Industry Standards	ASME B16.34, ANSI FCI 70-2, API 609, API 607, API 598



Wide Range of Industries

The Valdisk TX3 is designed for applications in a wide range of industries including oil and gas, chemical, power generation, and various general industries.

Solving Applications

API 598 Zero Leakage

Valdisk TX3 valves have been tested to the industries most stringent seat leak test requirements demonstrating the ability to shut-off with zero leakage. Test standards include:

- API 598: Valve Inspection and Testing
- MSS SP-68: High Pressure Butterfly Valves with Offset Design
- ISO 5208 (EN 12266): Industrial valves – Pressure testing of metallic valves
- ANSI/FCI 70-2: Control Valve Seat Leakage

Robust Sealing Options

The Valdisk TX3 laminated seal ring provides bubble tight shut-off even in gas applications. Each individual layer performs an independent sealing function and unaffected by the damage to other layers. Additionally, for high temperature applications a solid metal seal ring is available, and for low temperature applications the solid metal seal can be replaced with a PTFE seal ring.

Variety of Body Styles

Valdisk TX3 is suited for a range of applications and is available with several different body styles to suit the needs of each application. The valve body can be configured in wafer, lug, double flanged short or long (ASME B16.10), buttweld, cryogenic, and offset top entry.

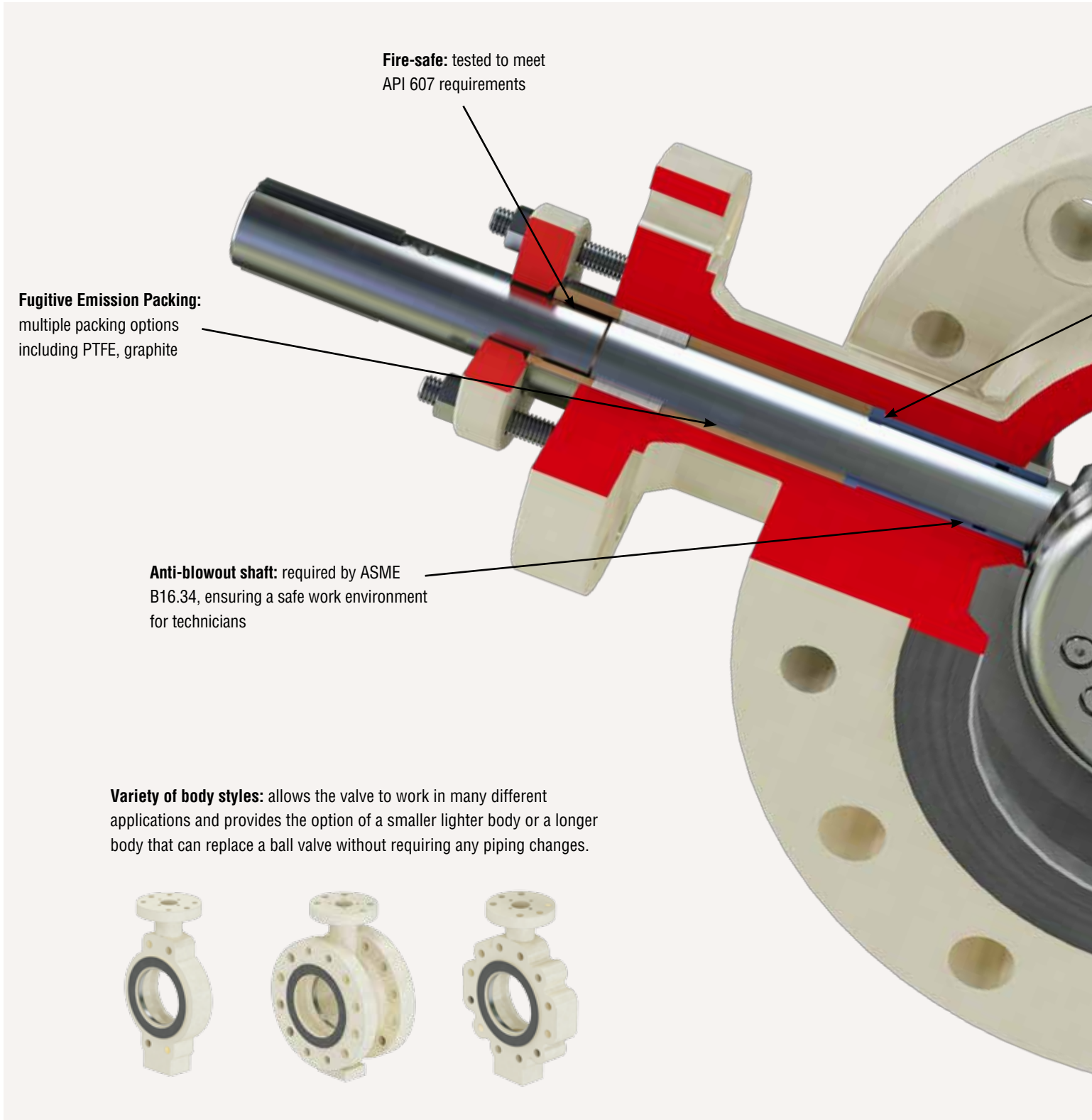
Industry Certifications

Valdisk TX3 valves have obtained numerous industry certifications so that the valve can be used around the world. Certifications include:

- API 609: Butterfly Valves: Double-flanged, Lug and Wafer-type
- PED: Pressure Equipment Directive
- TRCU: Technical Regulation Conformity
- IEC 61508 (SIL3): Functional Safety of Electronic Safety-related Systems
- API 607: Fire Test for Quarter-turn Valves and Valves Equipped with Nonmetallic Seats



Valdisk TX3



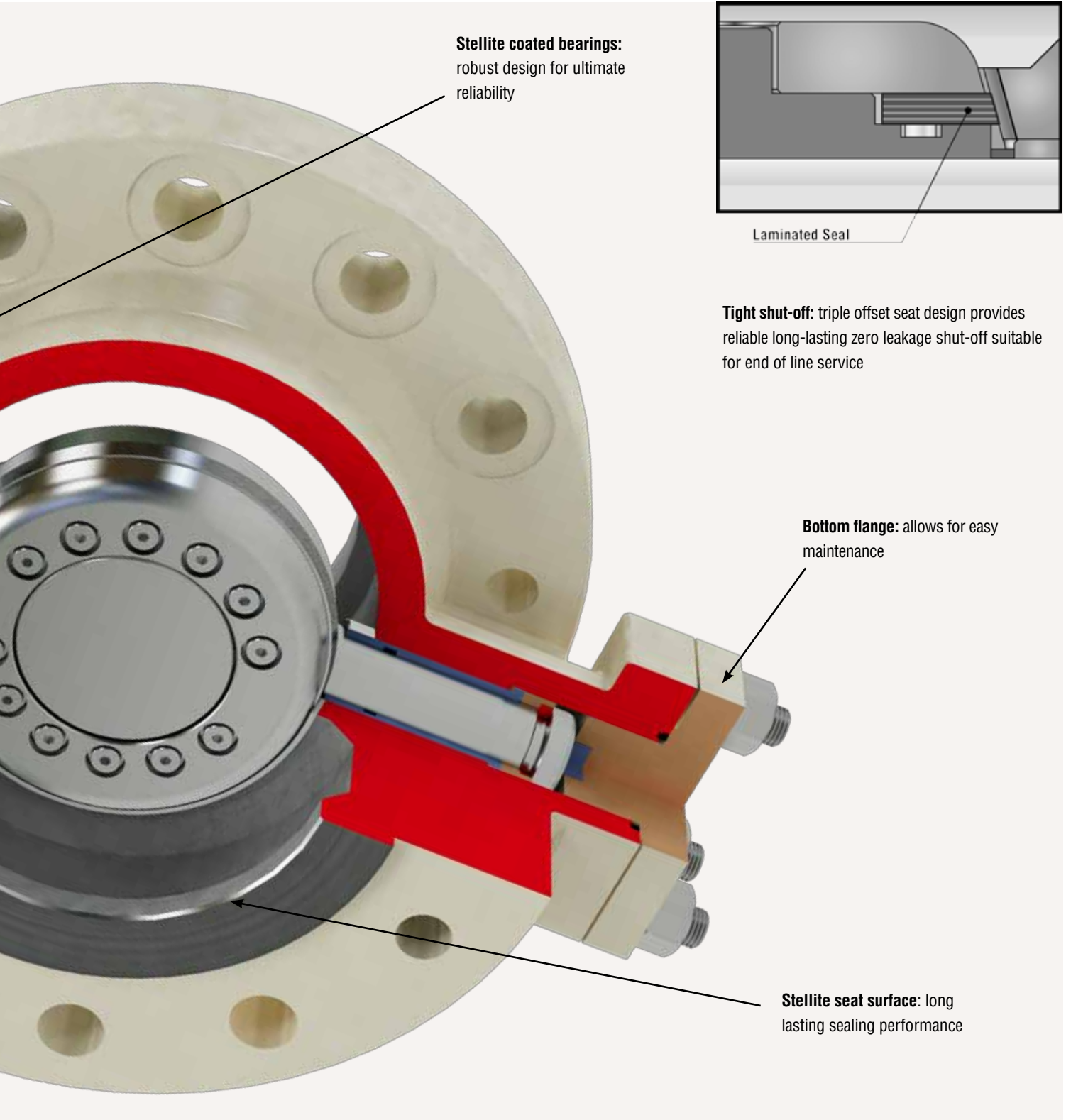
Fire-safe: tested to meet API 607 requirements

Fugitive Emission Packing: multiple packing options including PTFE, graphite

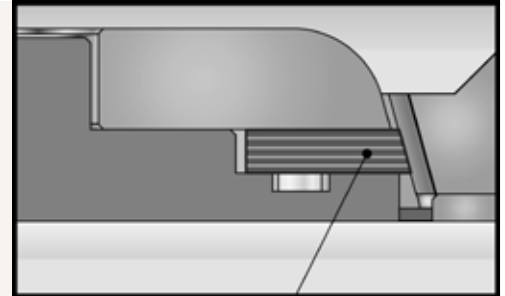
Anti-blowout shaft: required by ASME B16.34, ensuring a safe work environment for technicians

Variety of body styles: allows the valve to work in many different applications and provides the option of a smaller lighter body or a longer body that can replace a ball valve without requiring any piping changes.





Stellite coated bearings:
robust design for ultimate
reliability



Laminated Seal

Tight shut-off: triple offset seat design provides
reliable long-lasting zero leakage shut-off suitable
for end of line service

Bottom flange: allows for easy
maintenance

Stellite seat surface: long
lasting sealing performance



*Accurate, Easy to Use
Process Control -
Operated with a robust
actuator and precise
Logix digital positioner.*

Integrated Control Valve Solution

LPS Scotch Yoke Rotary Actuator

The Flowserve LPS scotch yoke rotary actuator delivers up to 300 kNm (221,000 ft-lbs) of precisely controlled torque - safely automating valves for all types of applications. Enhanced performance achieved by using a superior scotch yoke support design that significantly reduces transvers loads.



Supernova Rack & Pinion Rotary Actuator

The Flowserve SuperNova rack & pinion rotary actuator is designed for reliability, versatility and safety. Rugged, yet compact construction combined with technical solutions make this product extremely reliable in the severest of operating conditions.



VR Spring Cylinder Rotary Actuator

The Flowserve VR spring cylinder rotary actuator combines high torque and pneumatic stiffness with excellent throttling capabilities. These characteristics are designed into a lightweight, rugged and compact assembly, making the Flowserve spring cylinder rotary actuator an excellent choice for quarter-turn applications



Logix 500 Series Digital Positioner

The most advanced digital positioner from Flowserve. Increased flow rates, and added LCD display make it flexible enough for most applications.

Performs basic configurations using available DIP switches, and more complex configurations using the LCD menu system. 24/7 diagnostics are available with ValveSight Software DTM.



Logix 400 Series Digital Positioner

The Logix 420 is the latest addition to the digital positioner family from Flowserve. When mounted to the MaxFlo 4 eccentric rotary plug control valve, Logix 420 provides the user with a cost competitive solution for the general service, explosion proof market.



Logix 3000 Series Digital Positioner

Easiest calibration and configuration of any positioner available. Single, push-button calibration and DIP switch configuration allow you to fully commission the positioner in a matter of minutes. Using ValveSight Software DTM brings the availability of 24/7 diagnostics.





Flowserve - Solutions to keep you flowing

PNxt! Valve Sizing and Selection

PNxt! Valve Sizing and Selection is the right tool for the right product – first time, every time. This comprehensive set of next generation engineering tools allow you to size and select Flowserve control valve products best suited to your application and service conditions. In just seconds, you get the answers you need to ensure you make the right choice.



ValveSight™ Diagnostic Software – Prevention Delivered



ValveSight is a diagnostic solution for control valves that can be seamlessly integrated into a host control and/or plant asset management system. The power of ValveSight is the intelligent diagnostic engine -- which detects an emerging

condition in the valve, actuator, positioner, and control signal -- that may indicate a performance, safety, or environmental problem. ValveSight advises which corrective actions to take to prevent a failure.

Flowserve is Everywhere You Are

Flowserve manufacturing sites and quick response service centers are located all around the world so customers have on-the-spot availability for technical support and experienced field service technicians. Wherever your operations are, Flowserve is there to help your operations be successful





United States

Flowserve
1350 N. Mt. Springs Parkway
Springville, UT 84663
USA
Phone: +1 801 489 8611
Fax: +1 801 489 3719

Austria

Flowserve Control Valves GmbH
Kasernengasse 6
9500 Villach
Austria
Phone: +43 (0)4242 41181 0
Fax: +43 (0)4242 41181 50

India

Flowserve India Controls Pvt. Ltd
Plot # 4, 1A, E.P.I.P, Whitefield
Bangalore Karnataka
India 560 066
Phone: +91 80 284 10 289
Fax: +91 80 284 10 286

Singapore

Flowserve Pte. Ltd.
12 Tuas Avenue 20
Republic of Singapore 638824
Singapore
Phone: +65 6879 8900
Fax: +65 6862 4940

Saudi Arabia

Flowserve Abahsain Flow Control
Co., Ltd.
Makkah Road, Phase 4
Plot 10 & 12, 2nd Industrial City
Dammam, Kingdom of Saudi
Arabia
Phone: +966 3 857 3150 ext. 243
Fax: +966 3 857 4243

China

Flowserve Fluid Motion and
Control (Suzhou) Co., Ltd.
No. 35, Baiyu Road
Suzhou Industrial Park, Suzhou
Jiangsu Province, P.R. 215021
China
Phone: 86 512 6288 8790
Fax: 86 512 6288 8736

FCD VLENBR0061-00-AQ Printed in USA. November 2015. © 2015 Flowserve Corporation

To find your local Flowserve representative:

For more information about Flowserve Corporation,
visit www.flowserve.com or call
USA 1 800 225 6989 or International +1 972 910 0774