

BDT32

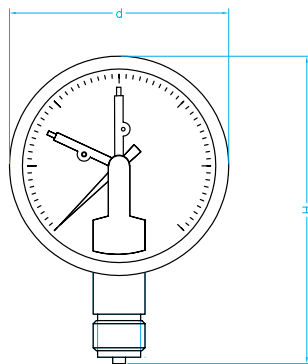
contact pressure gauge



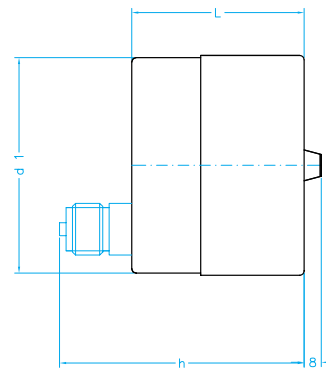
model	∅ 100mm
BDT32/A with bottom connection	bottom
BDT32/D with back connection	eccentric back
standard features	
case with bayonet bezel	stainless steel AISI 304
bourdon tube system	brass
blow-out disk	buna N
window	plexiglas
range in bar or equivalent	-1/0 0/600
thread bsp - npt - bspt	1/2"
max. process temperature	60 °C
accuracy at 20°C	1,6 %
contact	built on dial, single or double, S or M-series, see page 58
cable	pvc, 1 meter

options	∅ 100mm
back flange for wall mounting	BDT32/C
wetted parts stainless steel AISI 316	BDT32 - 18
DIN connector	a
restrictor in connection	a
non standard thread	a
non standard dial	a

a = available as option



type A



type D

measurements	∅ 100mm
d in mm	102
d1 in mm	100
L in mm	78
H in mm	136
weight in kg	0,9