

BDT30



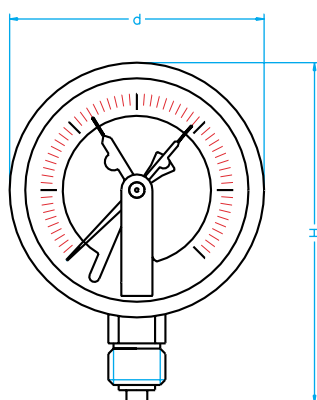
fillable contact pressure gauge

| model | ø 100mm | ø 160mm |
|-------------------------------------|---|---------|
| BDT30 - 18/A with bottom connection | bottom | |
| BDT30 - 18/D with back connection | eccentric back | |
| standard features | | |
| high model case with bayonet | stainless steel, high model | |
| bourdon tube system | stainless steel | |
| blow-out disk | viton | |
| window | plexiglas | |
| range in bar or equivalent | -1/0 0/1000 | |
| thread bsp - npt - bspt | 1/2" | |
| max. process temperature | 100 °C | |
| accuracy at 20°C | 1,6 % | |
| contact | built-in, electrical, see page 58 / 59 / 60 | |

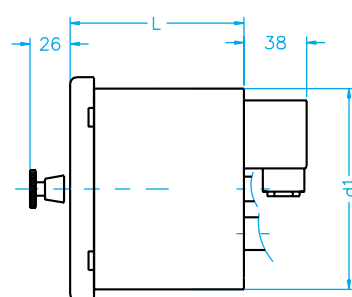
also available special add-on type contacts including pressure gauge, see page 57

| options | ø 100mm | ø 160mm |
|---|---------|---------|
| back flange for wall mounting | BDT30/C | BDT30/C |
| U-bracket for panel mounting | BDT30/B | BDT30/B |
| front flange for panel mounting | BDT30/E | BDT30/E |
| case with bayonet AISI 316 | a | a |
| safety glass window | s | s |
| plexiglas window | a | a |
| glass window | a | a |
| glycerine filling | a | a |
| sillicon filling | a | a |
| wetted parts monel K400 | a | a |
| red pointer on dial | a | a |
| adjustable pointer with slotted bush | a | a |
| restrictor in connection | a | a |
| non standard thread | a | a |
| non standard dial | a | a |
| range 1600/2500/4000 bar | n | a |
| duplex bourdon tube system (2 pointers) | a | a |

a = available as option; n = not available; s = standard in execution



type A



type D

| measurements | ø 100mm | ø 160mm |
|--------------|---------|---------|
| d in mm | 117 | 160 |
| d1 in mm | 103 | 149 |
| L in mm | 86 | 86 |
| H in mm | 155 | 195 |
| weight in kg | 0,8 | 1,0 |