

Badotherm pressure gauge model BDT12 is a diaphragm type pressure gauge and suitable for all gaseous and liquid media, as well as for viscous media and suspended solids. This pressure gauge is typically used for applications in the chemical, petro-chemical, oil & gas, power and utilities, machine building and general process industries. These gauges can be made with flanged connections according to ANSI, DIN, and JIS standards.


DESIGN INFORMATION

DESIGN NORM EN 837-3	INGRESS PROTECTION IP65 per IEC 60529
--------------------------------	---

STANDARD MODEL MATERIAL SPECIFICATIONS

PROCESS CONNECTION AISI316(L)	DIAPHRAGM AISI316(L) / Duratherm	CASE AISI304, bayonet	BEZEL AISI304, bayonet
MOVEMENT stainless steel	WINDOW glass	POINTER aluminium, black	DIAL aluminium, white with black markings

TECHNICAL SPECIFICATIONS

	BDT12 100 / 160 mm	BDT12-01 100 / 160 mm
Connection	1/2" BSP/NPT	1/2" BSP/NPT
Minimum range	600 mbar	25 mbar
Maximum range	25 bar	400 mbar
Accuracy	1.6% FSD	1.6% FSD
Pointer	adjustable slotted	adjustable slotted
Mounting variations	A	A
Diaphragm¹	AISI316 / Duratherm	AISI316
Free zero	•	•
Internal limit stop	•	•
Connection construction	welded	welded
Blow out	on the back	on the back
Compensation plug, material²	NBR	NBR
Window gasket	NBR	NBR

¹ Duratherm ≥ 4 bar

² HNBR for filled executions

SPECIAL EXECUTIONS

BDT12-S	with AISI316(L) case and bezel
BDT12-09	with sanitary connection

OPTIONS

WINDOW	laminated safety glass or plastic
PROCESS CONNECTION	other
POINTER	red pointer on dial, or drag pointer
WETTED PARTS	PTFE lining
PROTECTION SHEET	PTFE foil, Monel 400, Hastelloy C-276, or Tantalum (vacuum up to -50 mbar)
FILLING	BPF01 (glycerine), BPF02 (silicon), BPF03 (for contacts), BPF04 (foaming service), BPF05 (ECTFE Inert for oxygen service)
CLEANING	oxygen service (in case of filling use BPF05)
CALIBRATION CERTIFICATES	5 points (rising and falling)
ATEX	EX II 2 GD c (ATEX 94/9/EC)
ACCESSORIES	please check for matching accessories such as siphons (BDT42), snubbers (BDT45), swivel gauges (BDT47), overpressure protectors (BDT49), diaphragm seals and instrument needle valves and manifolds

DATA SHEET

BDT12 – DIAPHRAGM PRESSURE GAUGE

PRESSURE DETAILS

WORKING PRESSURE

steady	full scale value
fluctuating	0.9 x full scale value
over-pressure	optional; see over-pressure table

OVER-PRESSURE

type	range	over-pressure
BDT12-01	0-400 mbar	10 x full scale value
BDT12	0.6-25 bar	10 x full scale value (max.40 bar)

TEMPERATURE DETAILS

FILLING FLUID

			ambient	process
-	without		-40°C to 90°C	200°C
BPF01	glycerine	1000 Cst	-20°C to 65°C	90°C
BPF02	silicone	1000 Cst	-40°C to 65°C	90°C
BPF03	for contacts	80 Cst	-40°C to 60°C	90°C
BPF04	foaming service	50 Cst	-40°C to 60°C	90°C
BPF05	oxygen service	30 Cst	-40°C to 60°C	90°C

WINDOW

	ambient
glass	<400°C
safety glass	<200°C
polycarbonate	<120°C

GASKETS

	ambient
window NBR	<100°C
fill plug NBR	<100°C
fill plug HNBR	<150°C
flange FKM	<200°C

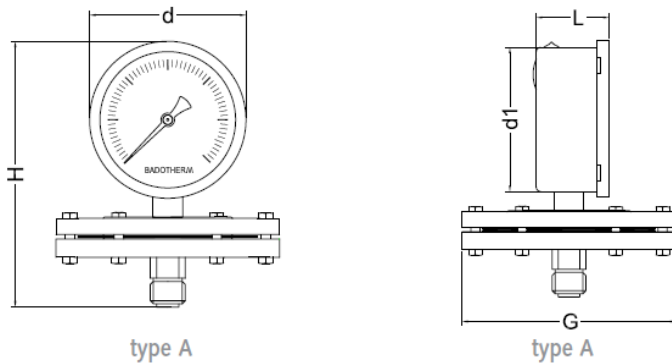
TEMPERATURE EFFECT

The variation of indication caused by the effect of temperature shall not exceed:
 $\pm 0.08 \times (\text{ambient temperature} - \text{reference temperature})\% \text{ of the span}$

MOUNTING VARIATIONS

- type A bottom connection, direct mounting

DRAWINGS



DIMENSIONS

type	ns	d	d1	L	H	G	weight	filled
BDT12-01	100	110	100	50	200	160	1.76 kg	2.32 kg
BDT12-01	160	160	150	52	250	160	2.09 kg	3.36 kg
BDT12	100	110	100	50	200	108	1.58 kg	2.14 kg
BDT12	160	160	150	52	250	108	1.91 kg	4.17 kg

All dimensions in mm



Holland – United Kingdom – Romania – India – Thailand – Dubai

To our knowledge, the information contained herein is accurate as of the date of this document. However neither Badotherm, nor its affiliates makes any warranty, express or limited, or accepts any liability in connection with this information or its use. This information is for technical skilled persons at their own discretion and risk and does not relate to the use of this product in combination with any other product. The user alone finally determines suitability of any information or material in contemplated use, the manner of use and whether any patents are infringed. This information gives typical properties only.

Badotherm reserves the right to make changes to the specifications and materials without prior notice. The latest version of the datasheet can be found on www.badotherm.com.

© 2001 Badotherm, all rights reserved. Trademarks and/or other products referenced herein are either trademarks or registered trademarks of Badotherm.